

# CXPlayer DEMO – Time-Signal

## 1 About CXPlayer Application

*CXPlayer* application is the demo tool of CXSpectra<sup>®</sup> software, used mainly to save time-signals in WAV files. Using this application, you can also:







- View the time-signal in a graphic mode;
- Play the time-signal buffer;
- Save time-signal buffer in a log file.

## 2 Operating System Required

Any of the Microsoft Windows OS including:

- ✓ Windows Vista
- ✓ Windows XP
- ✓ Windows 7
- ✓ Windows 8
- ✓ Windows 10
- ✓ Windows Server 2000, 2003, 2008 etc.

## 3 Software Interface description

	<b>Open</b> Open any CXB/CXM spectrum file (.CXS)
	<b>View graph</b> View the selected time-signal in a graphical mode.
	<b>Play</b> Play the selected time-signal buffer to the computer audio output.
	<b>Save in log file</b> Save the selected time-signal in a log (text) file.
	<b>Save in wav file</b> Save the selected time-signal in a .wav sound file.
	<b>Play continuously</b> Play continuously the selected time-signal.

## 4 Open

Open any *CXB/CXM* spectrum file (.CXS).

The software is just trying to open the selected file, but it doesn't check if the file is a valid.

## 5 View graph

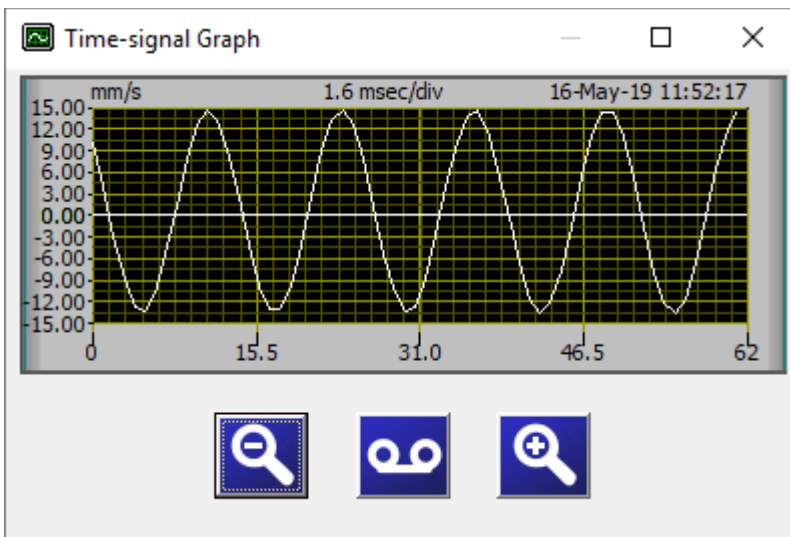
The selected time-signal can be shown in a graphical mode.

Using the arrow buttons, the graph can be zoomed as required.

By pressing the *Play* button, the time-signal buffer can be play onto audio output.

If the time-signal is very long, the playing time can take a few seconds.

During playing, the software is completely disabled.



The plot window can be resized as required.

There is no cursor available for this application version.

## 6 Save time-signal as a sound file

Any selected time-signal can be saved as a wav sound file.

The default name of the file is *Sound.wav*.

The user can change the name and the path before saving.

Saved files can be played using any sound player application.

## 7 Save time-signal as a log file

Any selected time-signal can be saved as a log (text) file.

The default name of the file is *n.log*, where *n* is the name of spectrum file (without extension).

The user cannot change the name and the path. The file is always saved in the spectrum file directory.

## 8 Play sound

Any selected time-signal can be passed to the computer audio device.

There are two modes of playing sound:

- ❖ Only once - the sound will have the duration of time-signal buffer;
- ❖ Continuous - the sound will play continuously, without stop when the time-signal buffer is finished. The user must stop the sound manually.

## 9 Open a Spectrum file with a single click

A very convenient way to open a *Spectrum file* is to double-click on it.

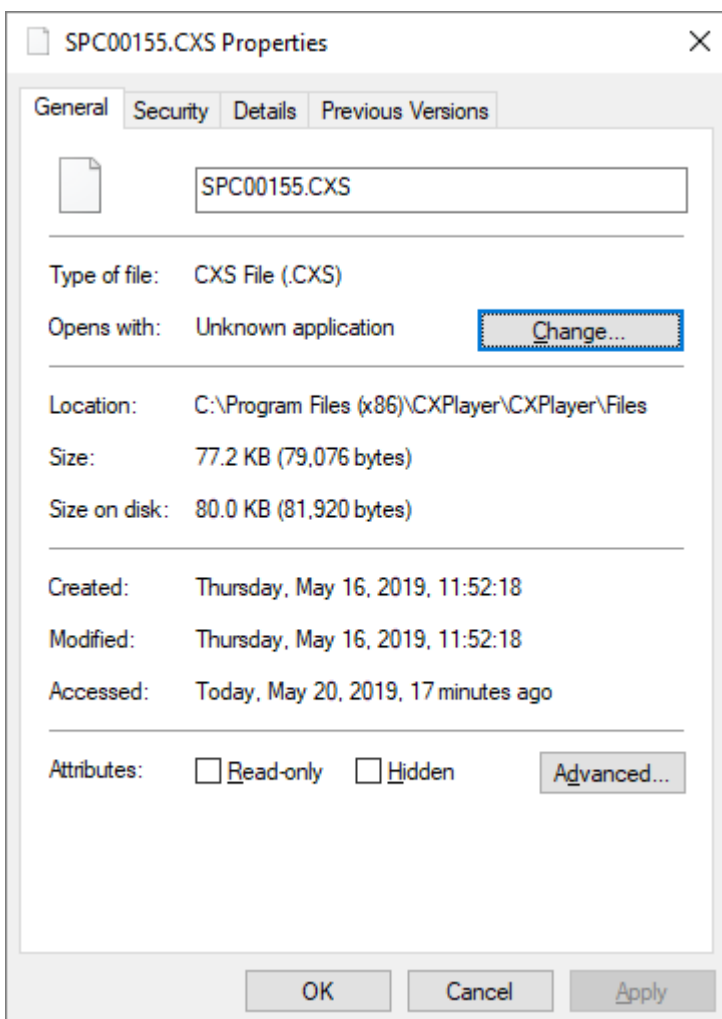
To do this, you must first instruct the *Windows Operating System* to recognize the **.cxs** files as *CXBalancer/CXM* files.

You can do this easily, assuming that the *CXPlayer* package is installed in your computer.

Browse for a *CXBalancer/CXM Spectrum* file (with *.cxs* extension) and right-click on it.

Select *Properties*:

Press *Change* button.



How do you want to open .CXS files from now on?



Notepad



WordPad



Look for an app in the Store

More apps ↓

OK

Select *More apps*.

How do you want to open .CXS files from now on?



Opera Internet Browser



Paint



Picasa Photo Viewer



uTorrent.exe



Windows Media Player



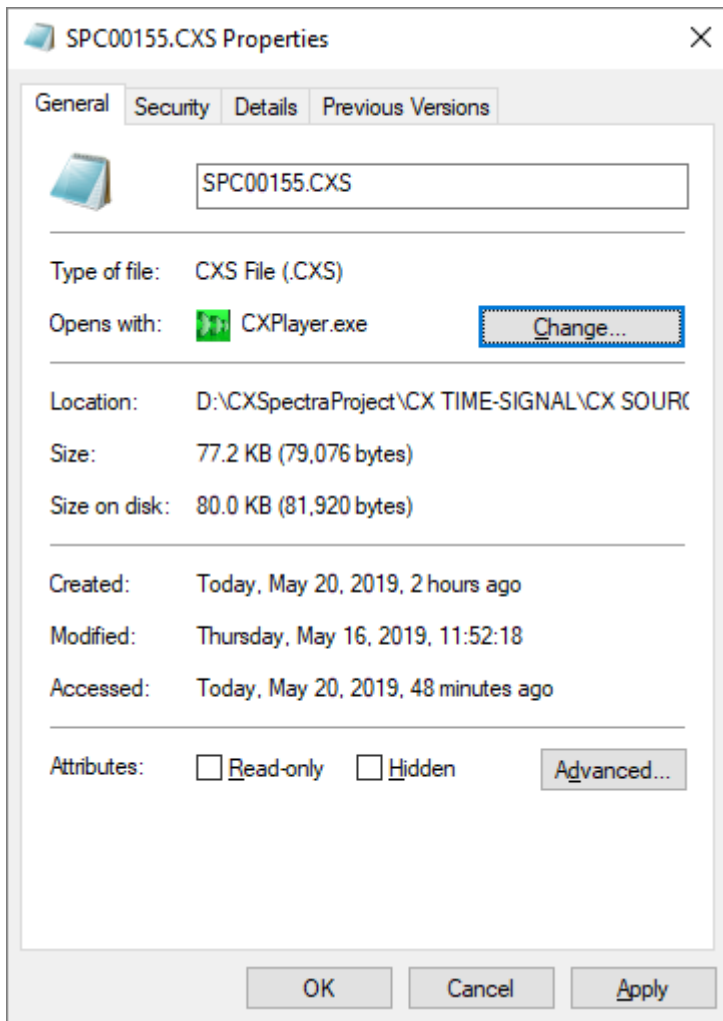
Windows Photo Viewer

Look for another app on this PC

OK

Select *Look for another app on this PC*.

Browse for *CXPlayer.exe* and select it.



Press *Apply* and *OK*.

The *CXPayer* will be opened together with the selected spectrum file.

From now on, any *.CXS* file can be opened it with *CXPayer* application, by clicking on it.

In addition, the *Spectrum file* icon will be changed:

Name	Date modified	Type
 SPC00154.CXS	16-May-19 11:51	CXS File
 SPC00155.CXS	16-May-19 11:52	CXS File
 SPC00156.CXS	16-May-19 11:53	CXS File

### ***Documentation Feedback***

---

*Any suggestions and comments for improving this Application Notes should be e-mailed at [mainttech@live.se](mailto:mainttech@live.se)*

***MaintTech Sweden** uses feedback for continuous improvement of our documentation and for future **MaintTech** products. We request comments be specific and include the product name and version. We cannot provide personal responses to every message received, but please be assured that all feedback will be given careful consideration for future improvements to the **MaintTech** documentation or software.*

### ***Technical Support***

---

#### ***Contact Details***

*For any problem regarding this application, feel free to contact our support team at: [mainttech@live.se](mailto:mainttech@live.se)*

*To know more about us, visit the following website: <http://www.mainttech.se/>*